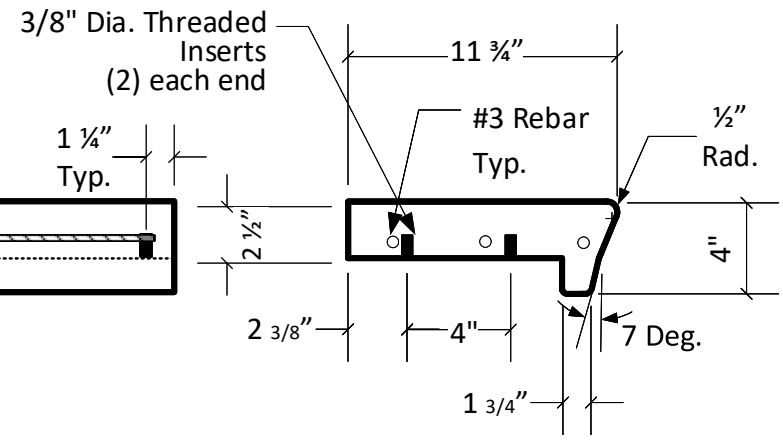
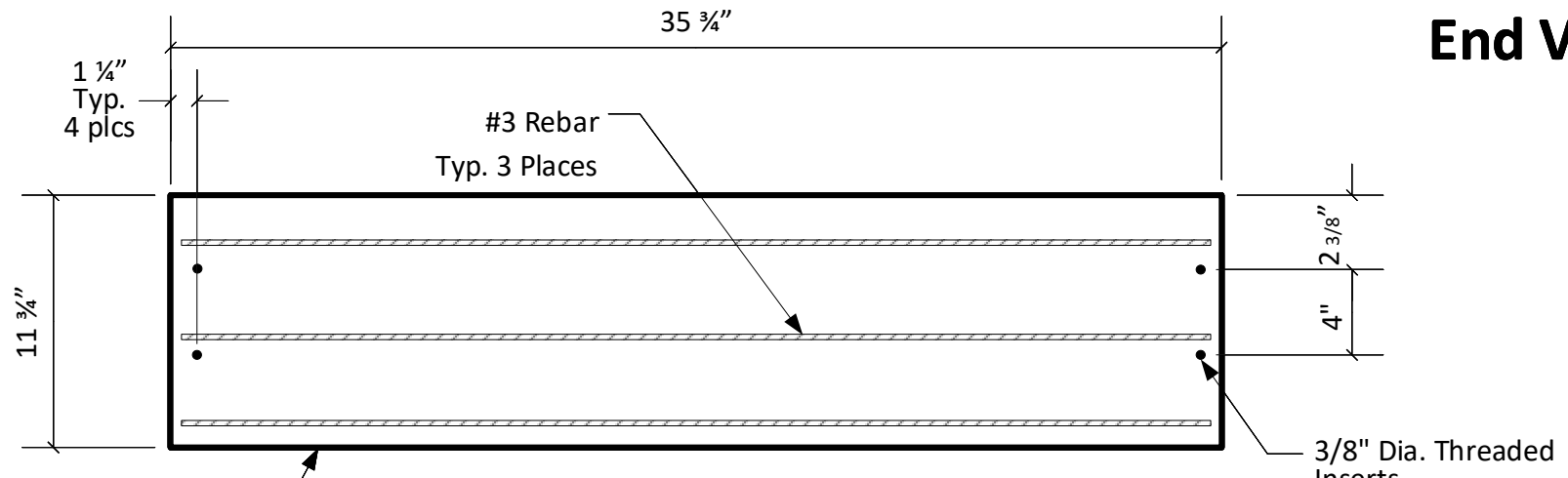


Front View



Section End View



Top View

Note:
 Supplied metal brackets to fastened to stringers,
 supplied by others, with 3/8" diameter fasteners.

Half Riser Tread Detail
 DO NOT SCALE

Drawn: TR

Date: 9/10/20

