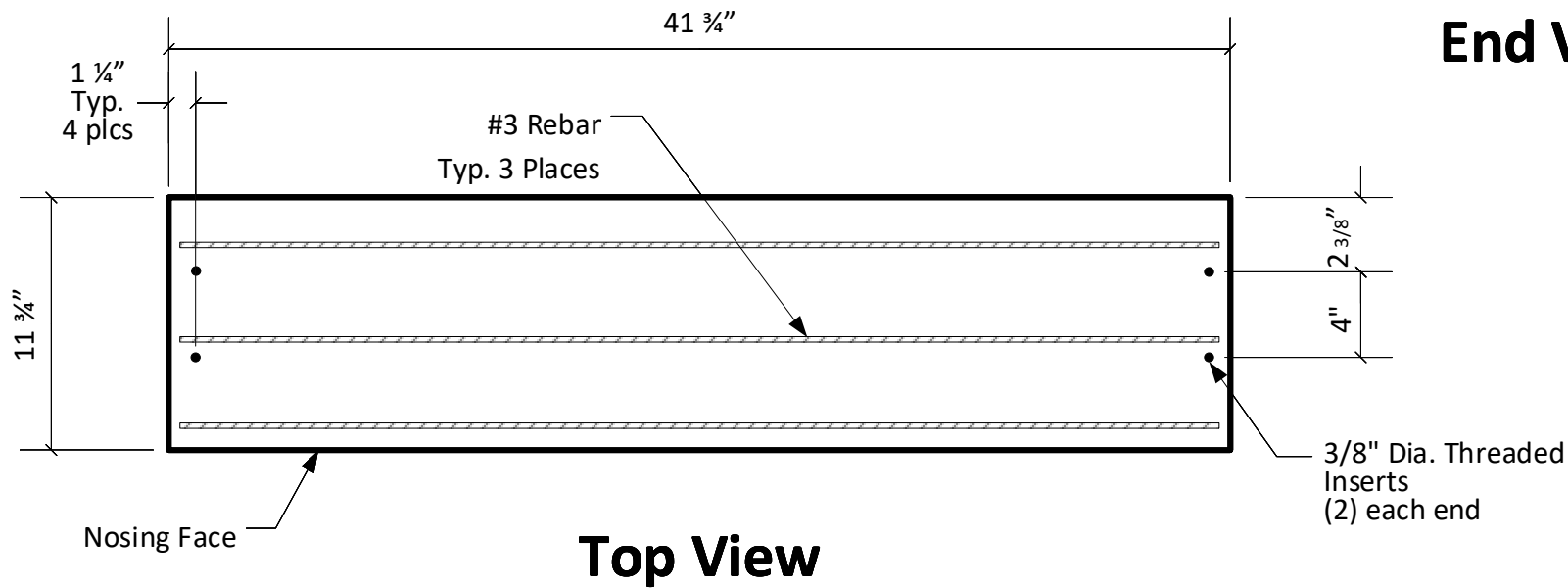


**Front View**

**Section End View**



**Top View**

**Note:**

Supplied metal brackets to fastened to stringers, supplied by others, with 3/8" diameter fasteners.

**Half Riser Tread Detail**

DO NOT SCALE

Drawn: TR

Date: 9/10/20

