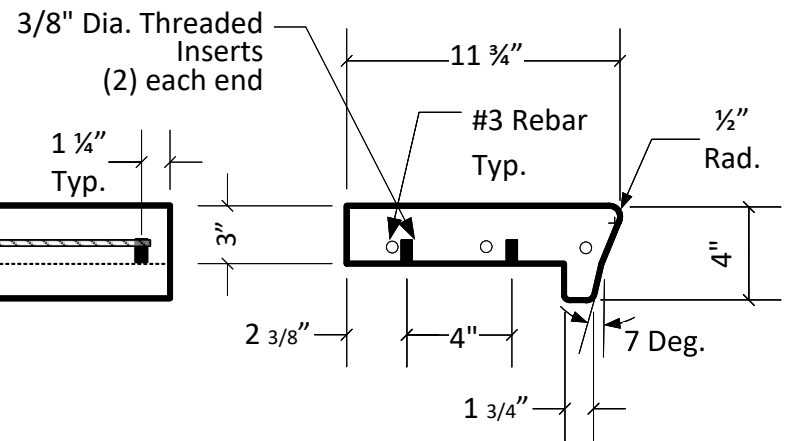
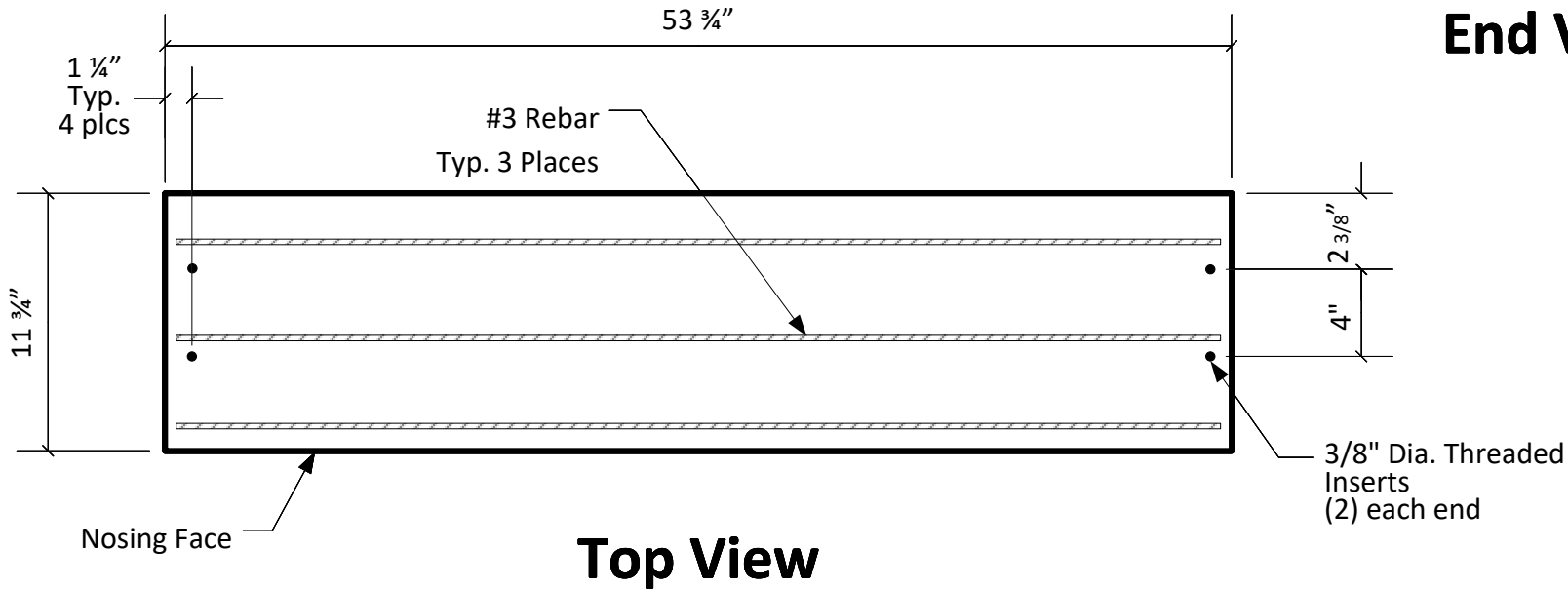


**Front View**



**Section End View**



**Top View**

**Note:**  
 Supplied metal brackets to fastened to stringers, supplied by others, with 3/8" diameter fasteners.

|                                |         |
|--------------------------------|---------|
| Job Name:                      |         |
| <b>Half Riser Tread Detail</b> |         |
| DO NOT SCALE                   |         |
| Drawn: TR                      | Qty:    |
| Date: 1/20/22                  | Finish: |

