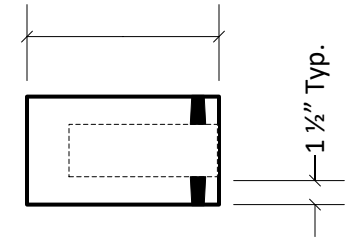
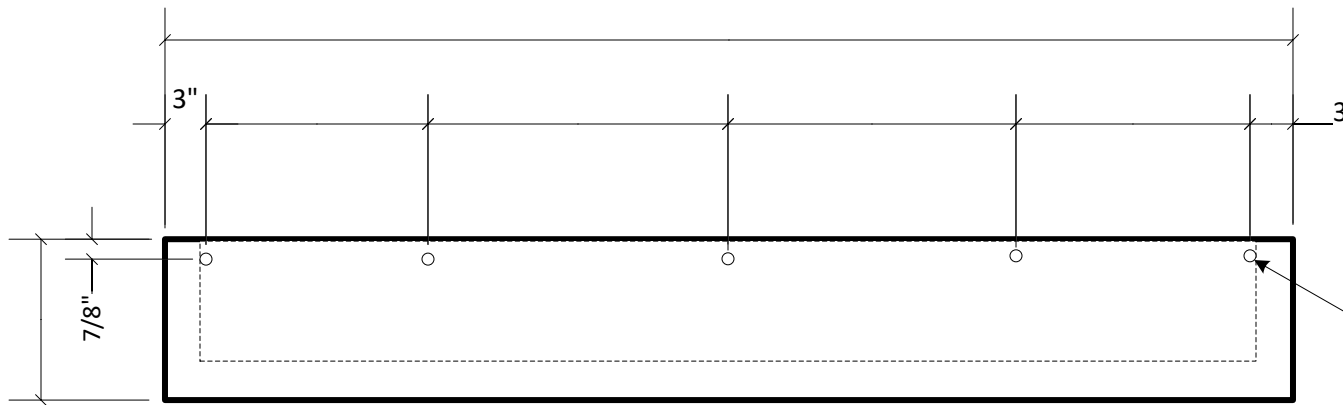


**Front View**



**Section End View**



**Top View**

3/8" Dia. Threaded Insert  
(10 plcs)

Note:

Approval: \_\_\_\_\_ Date: \_\_\_\_\_

DO NOT SCALE

Title: **Mantel**

Finish: \_\_\_\_\_

Qty: \_\_\_\_\_

Job/Customer Name: \_\_\_\_\_

Sales Order #: \_\_\_\_\_

Date: 5/23/22

Drawn By: TR

